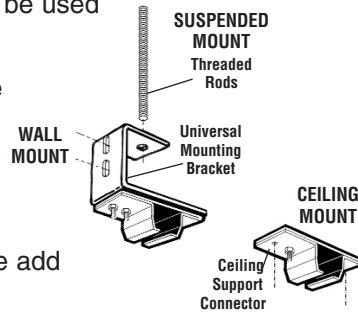


## Step 1

Determine which method of mounting will be used . . . CEILING, WALL or SUSPENDED.

The Universal Mounting Brackets (with the Ceiling Support Connector attached) can be used for either wall mounting or connects to a suspending threaded rod ( $\frac{3}{8}$ " Threaded Rod supplied by others). **IMPORTANT:** While installing the hardware add 3" to the height stated on the curtain tag.



If you are ceiling mounting, use the Ceiling Support Connectors only.

## Step 2

### SINGLE TRACK

1) Affix an End Stop to just one open end.

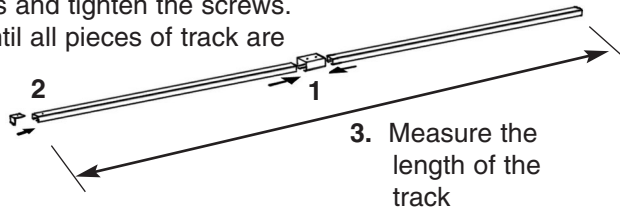


### SPLICING MULTIPLE TRACKS TOGETHER

Loosely place 2 allen screws onto each Straight Splice Connector, just one and a half turns

1. Insert the two tracks and tighten the screws. Repeat this process until all pieces of track are spliced together.

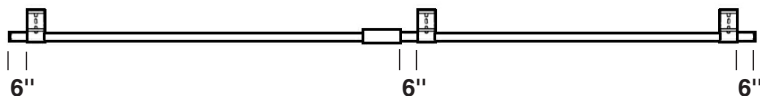
2. Affix an End Stop to just one open end.



3. Measure the length of the track

## Important Note for All Mounting Methods

Whether you are mounting a single piece of track or multiple pieces that you have spliced together, you should place the Mounting Brackets approximately 6" from each end and each side of a Splice Connector.



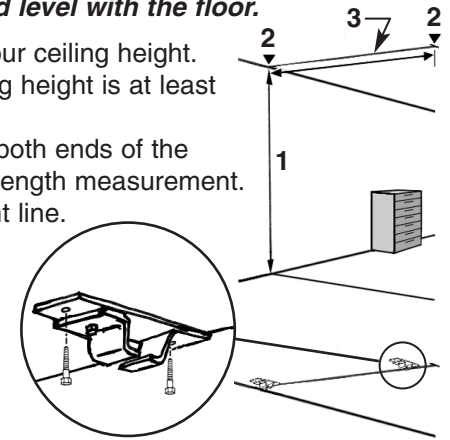
**However, it is more important to attach the bracket to solid material than to comply with the 6" measurement.**

## Step 3 – CEILING MOUNTING

*The ceiling surface must be flat and level with the floor.*

1. This height is pre-determined by your ceiling height. **IMPORTANT:** Make sure the ceiling height is at least 3" higher than your curtain height.
2. Place a mark on the ceiling where both ends of the track will fall. See Step 2 for track length measurement.
3. Connect these marks with a straight line.

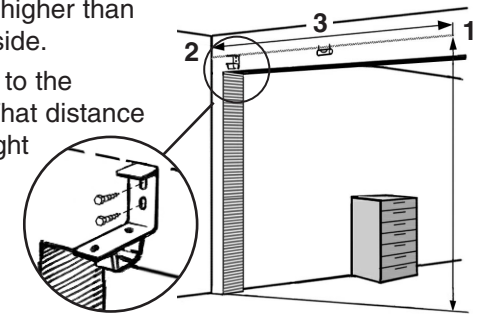
Place the Ceiling Support Connector on the ceiling. Mark the 2 mounting holes. Remove the bracket, drill the 2 holes and screw the bracket to the ceiling.



## Step 3 – WALL MOUNTING

1. On the bulkhead, place a mark 5" higher than the height of your curtain on one side.
2. From that point stretch a line level to the opposite side and place a mark. That distance should be the length of your Straight Track assembly. See Step 2.
3. Connect the marks with a straight level line.

Place each Mounting Bracket on the wall so the top edge of the bracket is even with the line. Mark the 2 mounting holes. Remove the bracket, drill the 2 holes and screw the bracket to the wall.

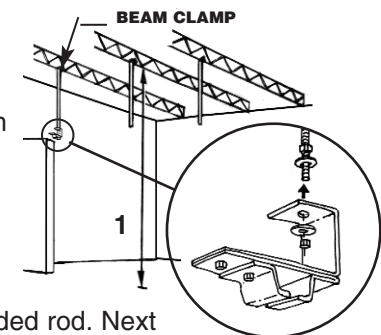


## Step 3 – SUSPEND MOUNTING

Using this method, you will need beam clamps and threaded rods that are not included with your hardware. 1. Measure the distance from bottom of the roof beam or truss. Subtract from that amount, the height of the curtain plus an additional 3". The threaded rods should be 2" longer than that final measurement.

**NOTE:** It is important that all of the threaded rod ends are level with one another.

Place a nut 1" up from the bottom of the threaded rod. Next place a washer over the rod, then the Universal Mounting Bracket, and finally another washer and nut. Tighten the assembly. See the illustration to the right.



## Step 4

### INSERTING NYLON ROLLERS WITH HOOKS

1) Place each roller into the open end of the track. The number of rollers must be equal to the number of grommets on the top edge of the curtain.

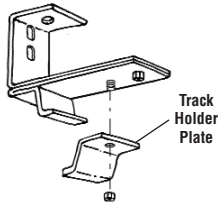


2) Affix the second End Stop to the open end of the track.

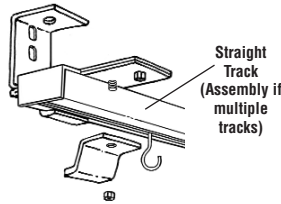
## Step 5

### ATTACHING TRACK TO BRACKET/SUPPORT CONNECTOR

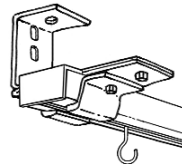
For this step you will need an assistant.



First, remove the Track Holder Plate from each of the Support Connectors



Next, place the Straight Track (assembly if multiple tracks) into the Support Connector.

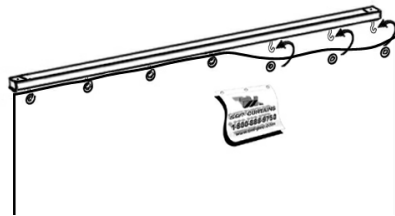


Finally, replace the track holder plate to each of the Support Connectors and tighten the locking nut so the track is secure.

## Step 6

### HANGING THE CURTAIN

Place each curtain grommet over a roller hook and mounting is complete. The logo should face to the outside.



## NOTES

# INDUSTRIAL CURTAINS INSTALLATION INSTRUCTIONS

## GETTING STARTED

Open all carton(s) containing hardware and remove all items. Position the hardware on the floor under the opening. Next, look in the box containing the curtain. The height and width of the curtain will be listed on a tag attached to the curtain.

**NOTE:** The actual height will be 3" shorter to allow for the thickness of the sliding track and a 1" gap off the floor. **Please check the chart below to make sure you have the correct number of items.**

Item	Model No.	Curtain Width		
		72"	144"	288"
Straight Track	008-00180		1@48" 1@24"	3@48" 6@48"
Universal Mounting Bracket	095-00001		2	4
Ceiling Support Connector	008-00018		2	4
Straight Splice Connector	008-00082		1	2
Nylon Roller with Hook	008-00064		8	14
End Stop	008-00028		2	2
Curtain			1	1

