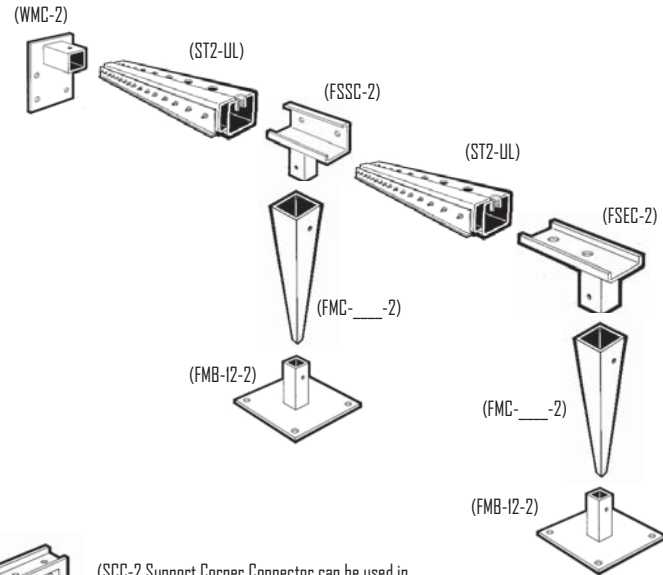


2" Square Tubing Components: Used for Free Standing Strip Enclosures

(Tek Screws Supplied with Hardware Components)

Basic Free-Standing Setup

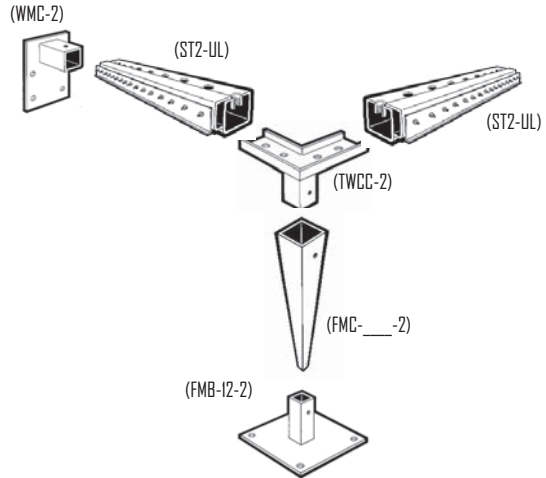
- 12" x 12" Floor Mount Base (FMB-12-2)
- 2" Floor Mount Columns - Specify Height Up to 10' (FMC-___-2)
- Floor Support Splice Connectors (FSSC-2) Used to Splice Sections Together
- Wall Mount Connector (WMC-2) Used When Mounting to Wall
- Floor Support End Connector (FSEC-2)



(SCC-2 Support Corner Connector can be used in place of a FSEC-2 Floor Support End Connector)

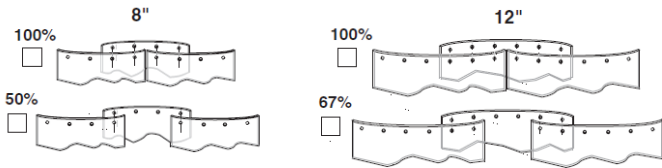
Corner Setups

- 12" x 12" Floor Mount Base (FMB-12-2)
- 2" Floor Mount Columns - Specify Height Up to 10' (FMC-___-2)
- Three Way Corner Connector (TWCC-2)
- Wall Mount Connector (WMC-2) Used When Mounting to Wall



(SCC-2 Support Corner Connector can be used in place of a FSEC-2 Floor Support End Connector)

Standard PVC Strip Door Options for Free Standing Strip Doors



PVC Strip Material Type

PLEASE SELECT ONE MATERIAL TYPE

- | | |
|---|--|
| <input type="checkbox"/> Standard Clear Flat (0° to 150°F) | <input type="checkbox"/> Amber Weld Screen (0° to 150°F) |
| <input type="checkbox"/> Standard Clear Ribbed (0° to 150°F) | <input type="checkbox"/> Aztec Red Weld Screen (0° to 150°F) |
| <input type="checkbox"/> USDA Low Temp Flat (-20° to 140°F) | <input type="checkbox"/> Black Opaque (0° to 150°F) |
| <input type="checkbox"/> USDA Low Temp Ribbed (-20° to 140°F) | <input type="checkbox"/> Other _____ |
| <input type="checkbox"/> Extra Low Temp Flat (-40° to 140°F) | |
| <input type="checkbox"/> Anti-Static (0° to 150°F) | <input type="checkbox"/> Include Safety Orange End Strips |

Floor Mount 2" Components - Bill of Materials

Quantity	Part and Model
_____	Floor Mount Base 12" x 12" (FMB-12-2)
_____	Floor Mount Columns 2" Tube - (FMC-___-2)
_____	Floor Support Splice Connectors (FSSC-2)
_____	Floor Support End Connector (FSEC-2)
_____	Support Corner Connector (SSC-2)
_____	2" Square Tube with Pre-Attached Strip Door Hardware (ST2-UL)
_____	Wall Mount Connector (WMC-2)

Application Notes: _____
